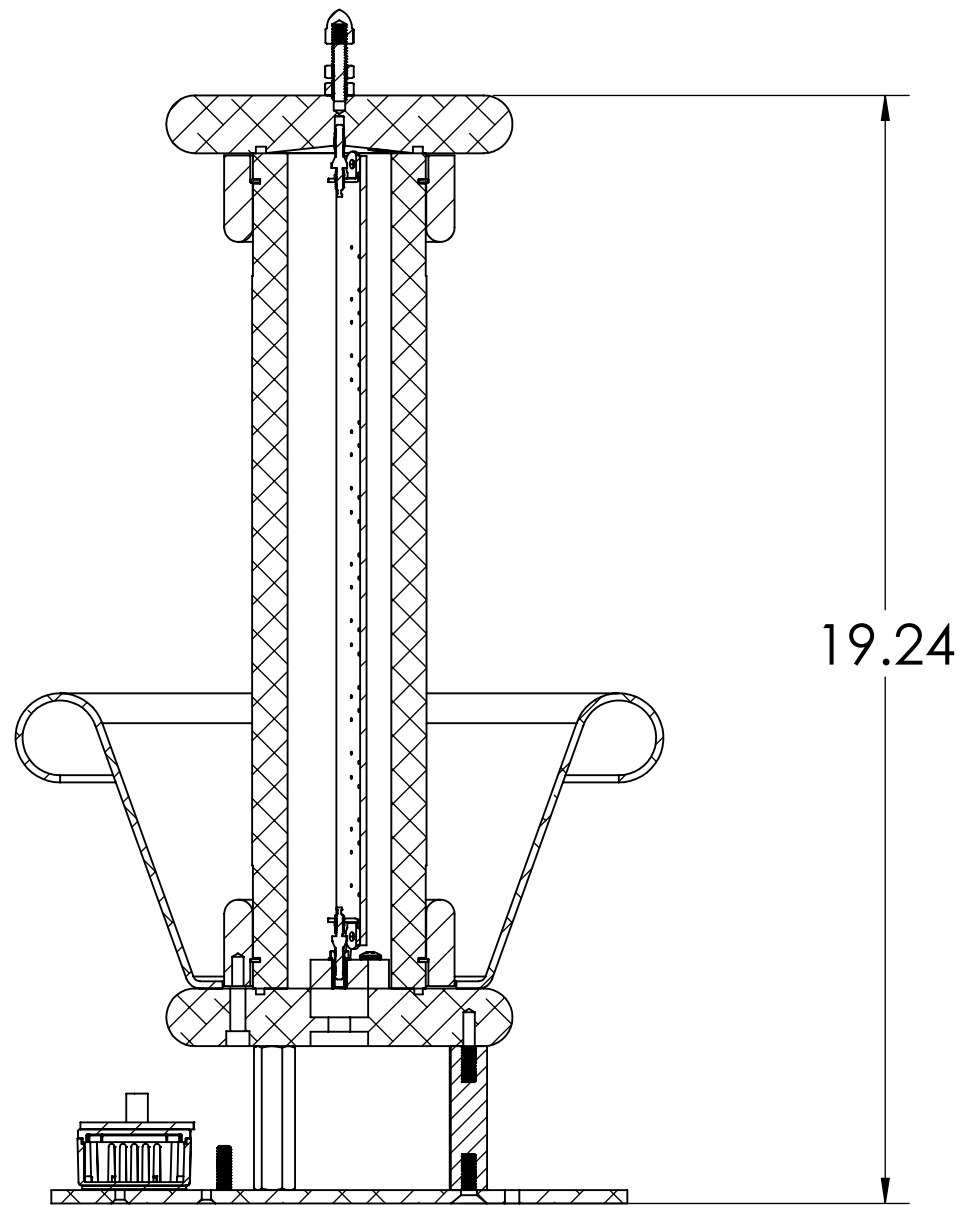
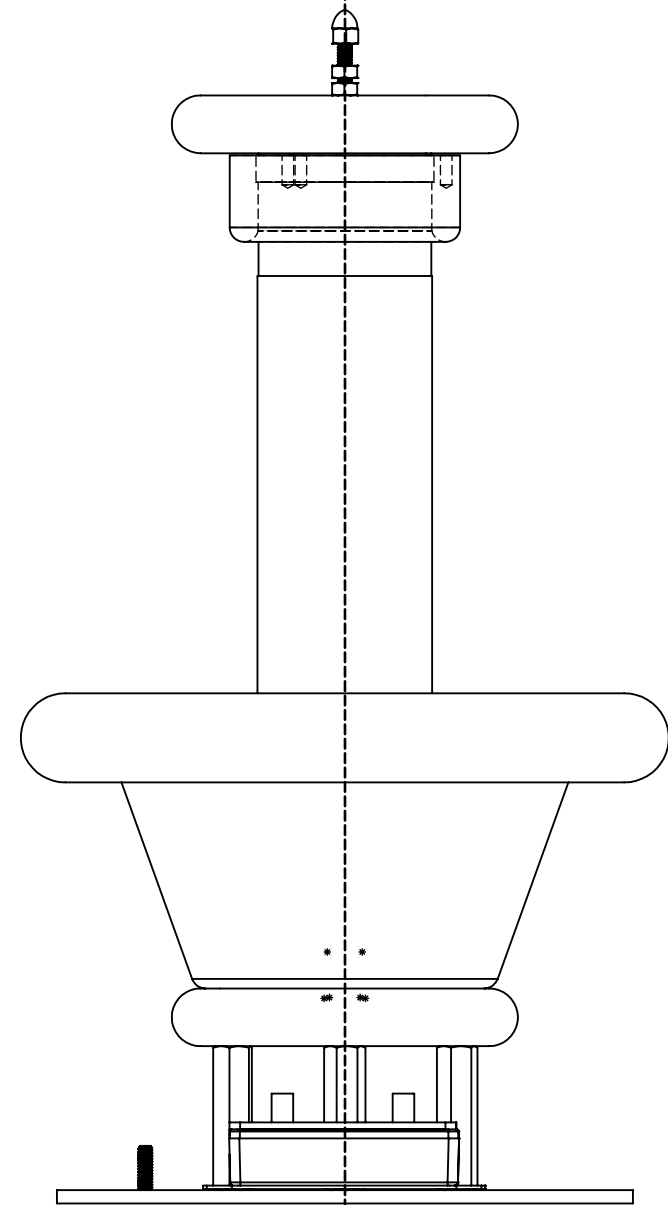
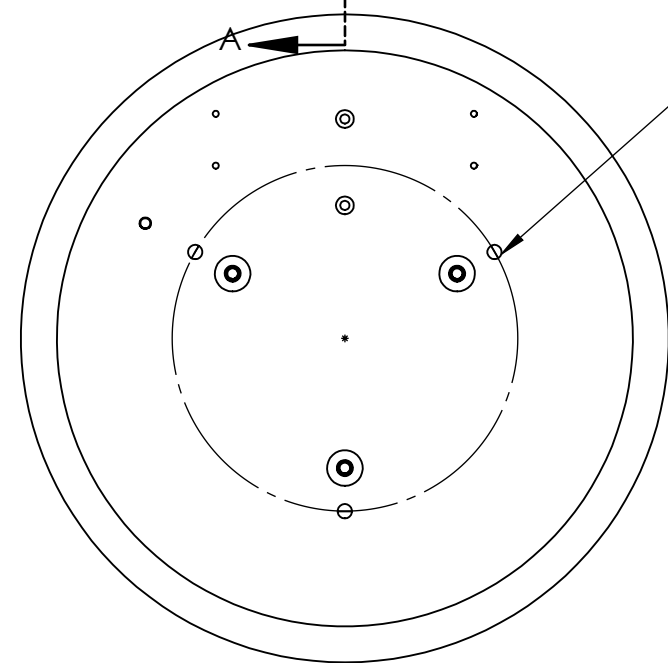


Ø 11.25

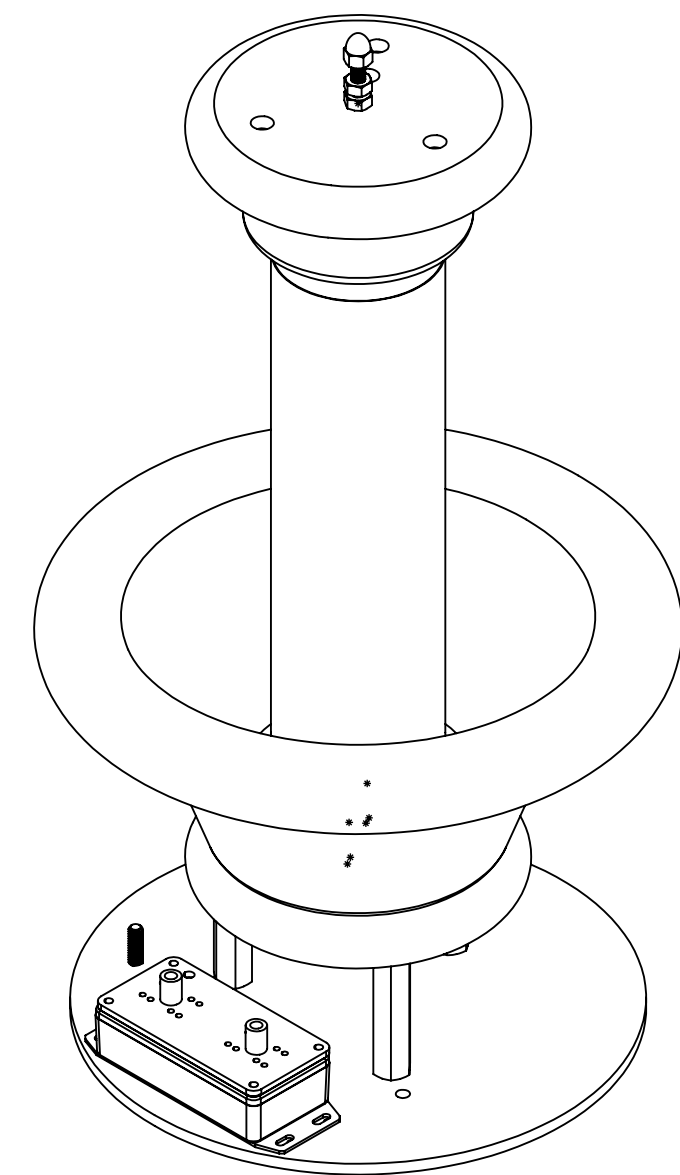


19.24

SECTION A-A
SCALE 3 : 10



3 Mounting
Holes 0.26" on
6" Bolt Circle

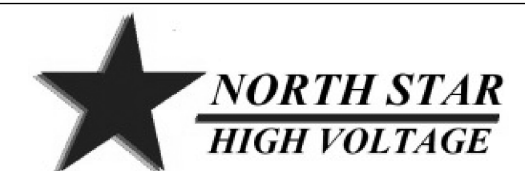


Contact for Questions Richard Adler
Email Contact richardadler6@gmail.com
Phone 520 260 8687

Tolerances:

Material
Plastic, Aluminum
and Transformer Oil

PROPRIETARY AND CONFIDENTIAL
THE INFORMATION CONTAINED IN THIS
DRAWING IS THE SOLE PROPERTY OF
NORTH STAR HIGH VOLTAGE CORP
REPRODUCTION IN PART OR AS A WHOLE
WITHOUT THE WRITTEN PERMISSION OF
NORTH STAR HIGH VOLTAGE CORP IS
PROHIBITED.



TITLE VD70Assy060721

SIZE C	DWG. NO.	REV
------------------	----------	-----

SCALE: 1:5 WEIGHT: SHEET 1 OF 1