

VD-100

The VD-100 is our lower voltage VD series high voltage probe. This unit is designed for floor (or table) mounted use, and for 24/7 use. Our VD technology offers DC measurement with with an extremely low voltage coefficient of resistance. The VD technology also offers “state of the art” bandwidth – 20 Mhz in the case of the VD-100. All capacitors are temperature, frequency, and voltage stabilized for the best possible performance. The probes all have field defining toroids as a standard item in order to minimize the proximity effect (stray capacitance) and maximize the reproducibility of the measurement. The high and low frequency calibrations are carefully matched before shipment. Very high frequency cable effects are also carefully compensated so accurate measurements can be made for short pulses. No adjustments are necessary once the probes have been factory calibrated.

	Max DC/Pulsed V (kV)	100/160
	Max Frequency (Mhz.)	20
	Nom Pulse Risetime(ns)	16
	Cable Length (ft.)	30
	DC accuracy	<0.1 %
	2 Hz. - 1 Mhz. Accuracy	1 %
	>1 Mhz Accuracy	3 %
	Resistance (Megohms)	1600
	Height (inches/cm.)	24/60
	Diameter (in/cm.)	11/28
	Capacitance (approx. pf)	25
	Base Diameter(in/cm.)	10/25
	Standard Divider Ratio	10,000:1

1

2

3

4

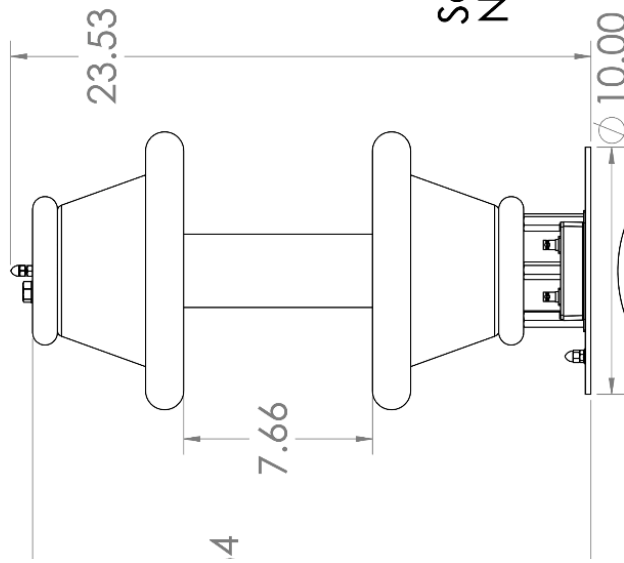
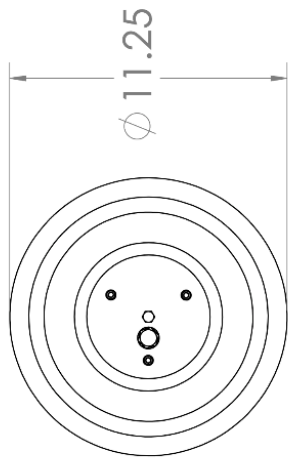
Oil Fill/Drain
not for routine
use

HV Connect

To Cable and
scope

Safety ground connect
Not Neutral

From HV
Column



3, 0.26D holes
on 6" circle
for mounting

NORTH STAR
HIGH VOLTAGE

Material: Plastic, Aluminum and Transformer Oil

USE ON: _____

APPLICATION: _____

DO NOT SCALE DRAWING

TITLE: VD100Assy0302

SIZE DWG. NO.

B

SCALE: 1:10 WEIGHT:

2

3

4

1